

DOTMATRIX 4x12

6,75mm ZH, LED-BELEUCHTET

**nur 63,2mm breit
ideal für Handheld**



Abmessungen
63,2x55x12,5mm

TECHNISCHE DATEN

- * LCD SUPERTWIST FÜR BESTEN KONTRAST
- * KONTROLLER IN COB TECHNOLOGIE, HD 44780-KOMPATIBEL
- * 4- ODER 8- BIT DATENBUS + STEUERLEITUNGEN E, RS, R/W
- * VERSORGUNG 5V / typ. 1,8mA
- * KONTRASTREICHES SUPERTWIST-DISPLAY
- * LED-HINTERGRUNDBELEUCHTUNG (LIGHT BOX), EXT. R_v 50-200mA
- * WEITER TEMPERATURBEREICH -20°C ... +70°C
- * LAGERTEMPERATUR -30°C ... +80°C
- * SINGLE 5V - KEINE NEGATIVE SPANNUNG ERFORDERLICH

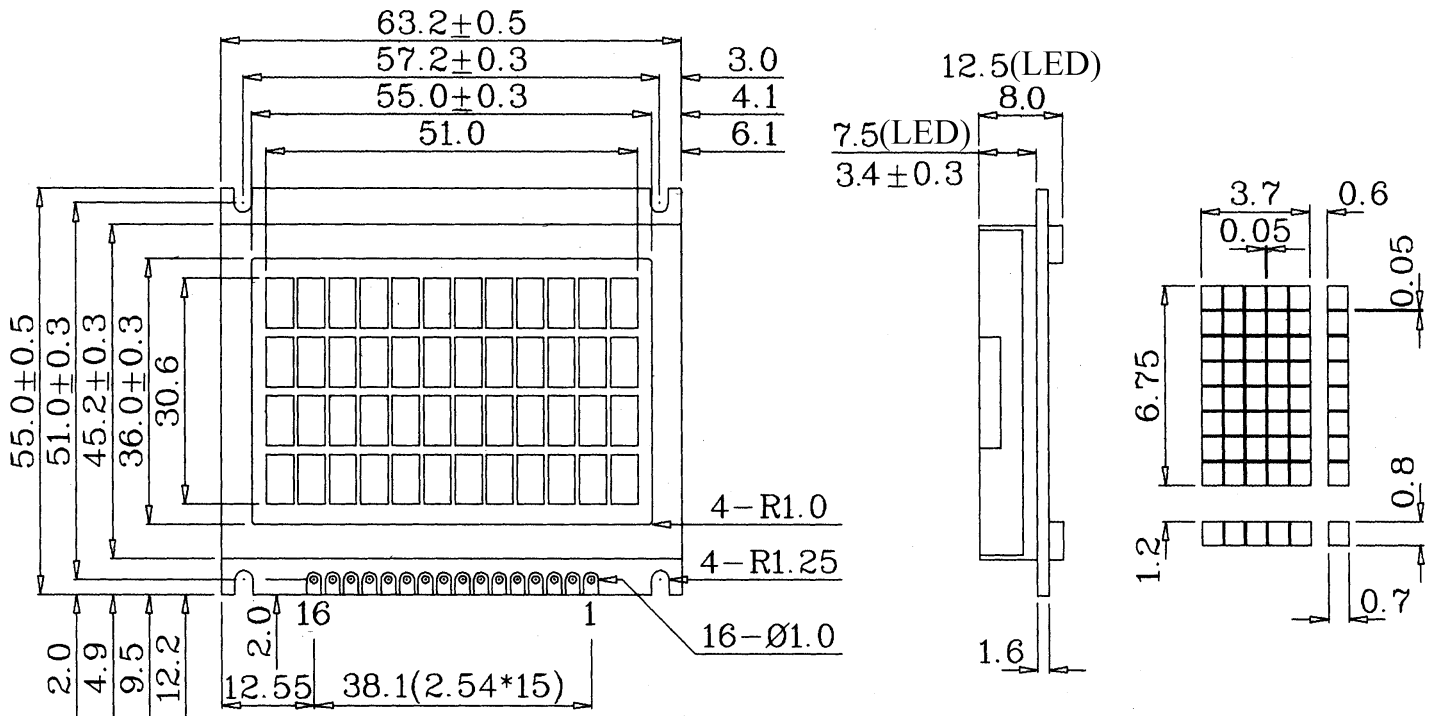
BESTELLBEZEICHNUNG

DOTMATRIX LCD 4x12 ZEICHEN, STN yellow

EA C124-NLED

EA C124-NLED

ABMESSUNGEN



alle Maße in mm

BEFEHLSTABELLE / PINBELEGUNG

Instruction	Code										Description	Execute Time (max.)
	RS	R/W	DB 7	DB 6	DB 5	DB 4	DB 3	DB 2	DB 1	DB 0		
Clear Display	0	0	0	0	0	0	0	0	0	1	Clears all display and returns the cursor to the home position (Address 0). Returns the Cursor to the home position (Address 0). Also returns the display being shifted to the original position. DD RAM contents remain unchanged.	1.64ms
Cursor At Home	0	0	0	0	0	0	0	0	1	*	1.64ms	
Entry Mode Set	0	0	0	0	0	0	0	1	I/D	S	Sets the Cursor move direction and specifies or not to shift the display. These operation are performed during data write and read.	40µs
Display On/Off Control	0	0	0	0	0	0	1	D	C	B	Sets ON/OFF of all display (D) cursor ON/OFF (C), and blink of cursor position character (B).	40µs
Cursor / Display Shift	0	0	0	0	0	1	S/C	R/L	*	*	Moves the Cursor and shifts the display without changing DD RAM contents.	40µs
Function Set	0	0	0	0	1	DL	N	F	*	*	Sets interface data length (DL) number of display lines (L) and character font (F).	40µs
CG RAM Address Set	0	0	0	1	ACG					Sets the CG RAM address. CG RAM data is sent and received after this setting.	40µs	
DD RAM Address Set	0	0	1	ADD					Sets the DD RAM address. DD RAM data is sent and received after this setting.	40µs		
Busy Flag / Address Read	0	1	BF	AC					Reads Busy flag (BF) indicating internal operation is being performed and reads address counter contents.	-		
CG RAM / DD RAM Data write	1	0	Write Data					Writes data into DD RAM or CG RAM	40µs			
CG RAM / DD RAM Data Read	1	1	Read Data					Reads data from DD RAM or CG RAM	40µs			

Pinbelegung			
Pin	Symbol	Pegel	Beschreibung
1	VSS	L	Versorgung 0V, GND
2	VDD	H	Versorgung +5V
3	VEE	-	Displayspannung typ. 1,6V @ 20°C
4	RS	H / L	Register Select
5	R/W	H / L	H: Read / L: Write
6	E	H	Enable
7	D0	H / L	Datenleitung 0 (LSB)
8	D1	H / L	Datenleitung 1
9	D2	H / L	Datenleitung 2
10	D3	H / L	Datenleitung 3
11	D4	H / L	Datenleitung 4
12	D5	H / L	Datenleitung 5
13	D6	H / L	Datenleitung 6
14	D7	H / L	Datenleitung 7 (MSB)
15	LED +	-	LED-Versorgung Plus /Vorwiderstand!
16	LED -	-	LED-Versorgung Minus

Die Flußspannung der LED-Beleuchtung (LED+, LED-) beträgt typ. 4,2V.

Display - DD RAM Adresse

- 1. Zeile \$00..\$0B
- 2. Zeile \$0C..\$17
- 3. Zeile \$40..\$4B
- 4. Zeile \$4C..\$57

